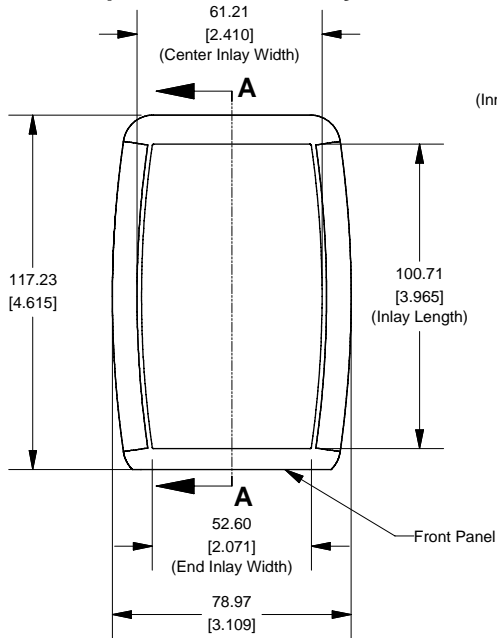
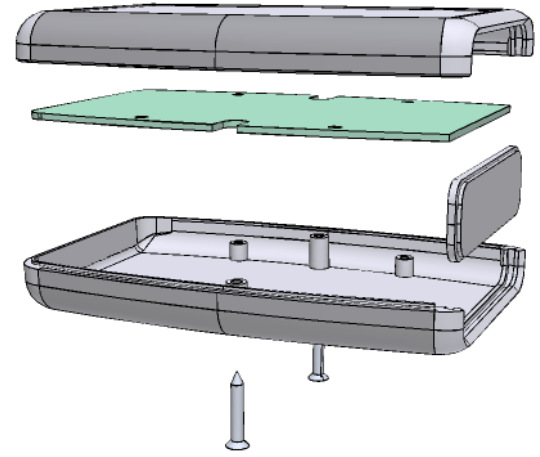
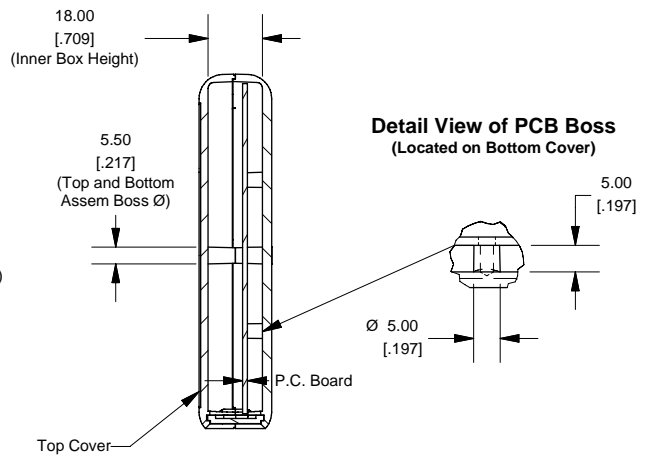


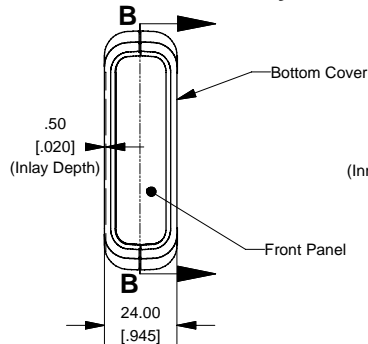
### Top View of Assembly



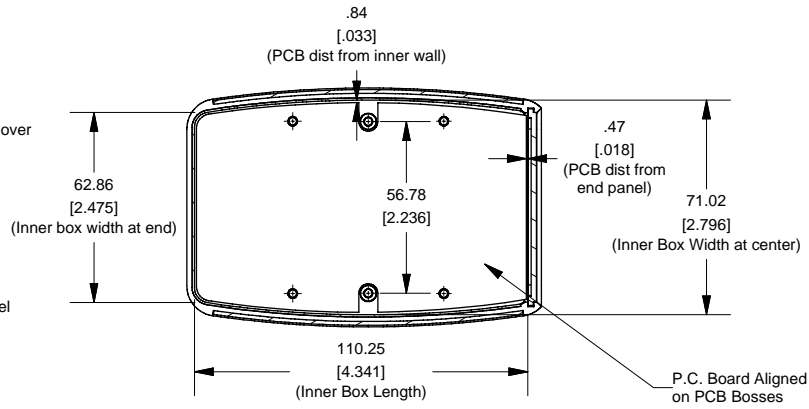
### SECTION A-A (Side View Inside Assembly)



### End View of Assembly



### SECTION B-B (Inside of Bottom Cover)



Enclosures can be Factory Modified ( Milling, Drilling, Printing etc. )  
 Solid models of this enclosure available in STEP or IGES.  
 Contact Factory [mjm@hammondmfg.com](mailto:mjm@hammondmfg.com)

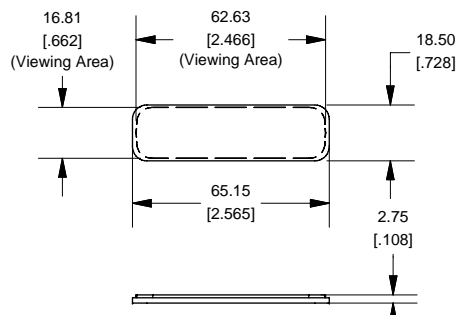
#### NOTE

Enclosure molded from GP ABS (UL94-HB) plastic.  
 Purchased assembly includes top and bottom cover, front plastic panel and 2 cover screws.

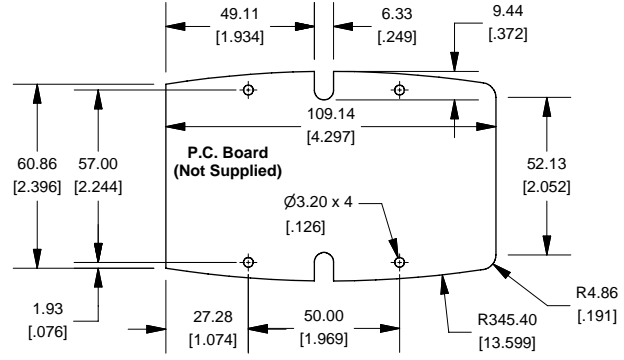
#### PART NUMBERS

1553B Enclosure	
Black Enclosure/Grey Over-mold	1553BBK
Red Enclosure/Black Over-mold	1553BGY
Translucent Blue Enclosure/Black Over-mold	1553BTBUBK
Yellow Enclosure/Black Over-mold	1553BYLBK
Grey Enclosure/Grey Over-mold	1553BGYBAT
ACCESSORIES	
Cover Screws (Pkg 100)	1593MS100 (Silver)
[#4 x 5/8" self-tapping oval head (15.9mm)]	1593MS100BK (Black)
P.C. Board Screws	1593ATS50 (Pkg 50)
[#4 x 1/4" self-tapping (6.4mm)]	1593ATS100 (Pkg 100)
Belt or Pocket Clip	1599CLIP (Black) 1599CLIPGY (Grey)

### Front/Rear Panel (Dashed Line Indicates Viewing Area)



### Maximum P.C. Board Size



**HAMMOND MANUFACTURING™**  
**1553B**  
[www.hammondmfg.com](http://www.hammondmfg.com)